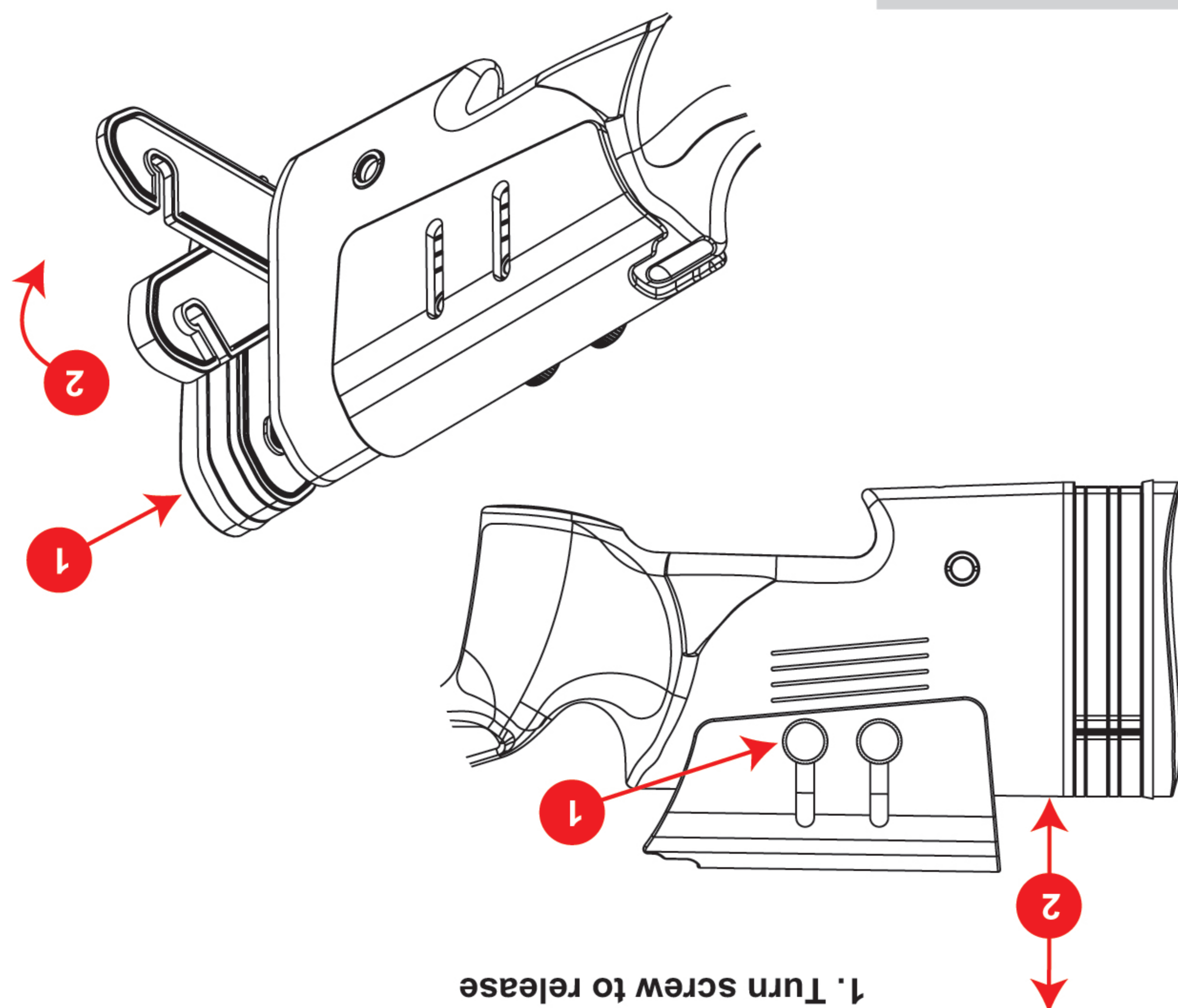
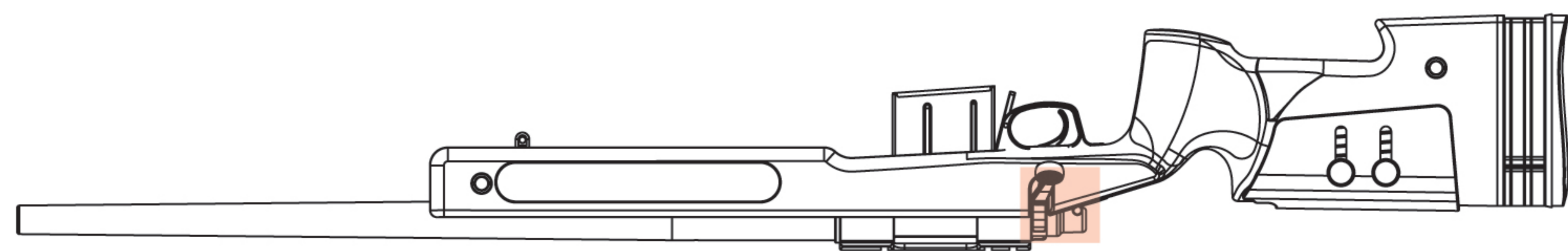
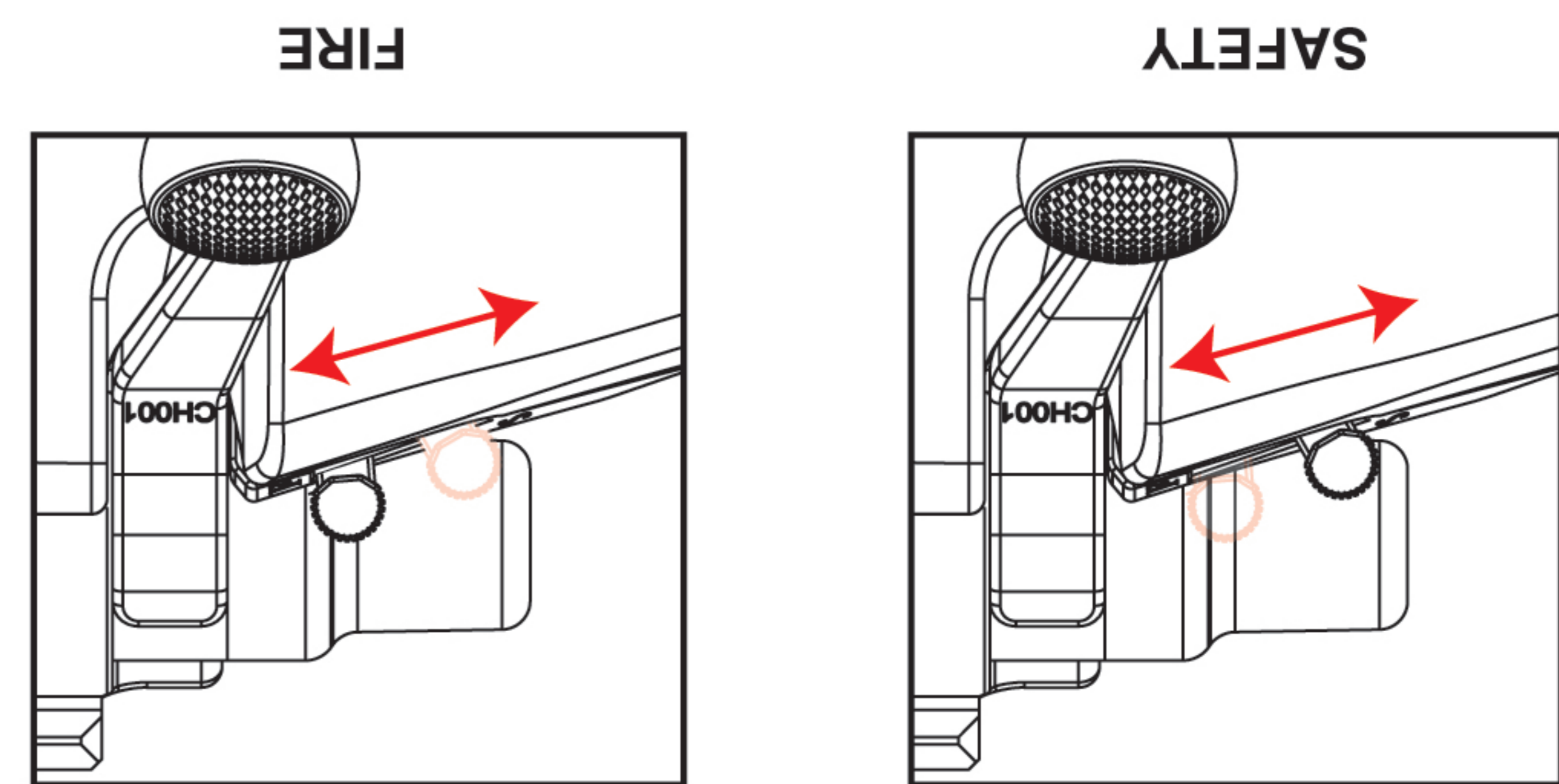


HOP UP ADJUSTMENT

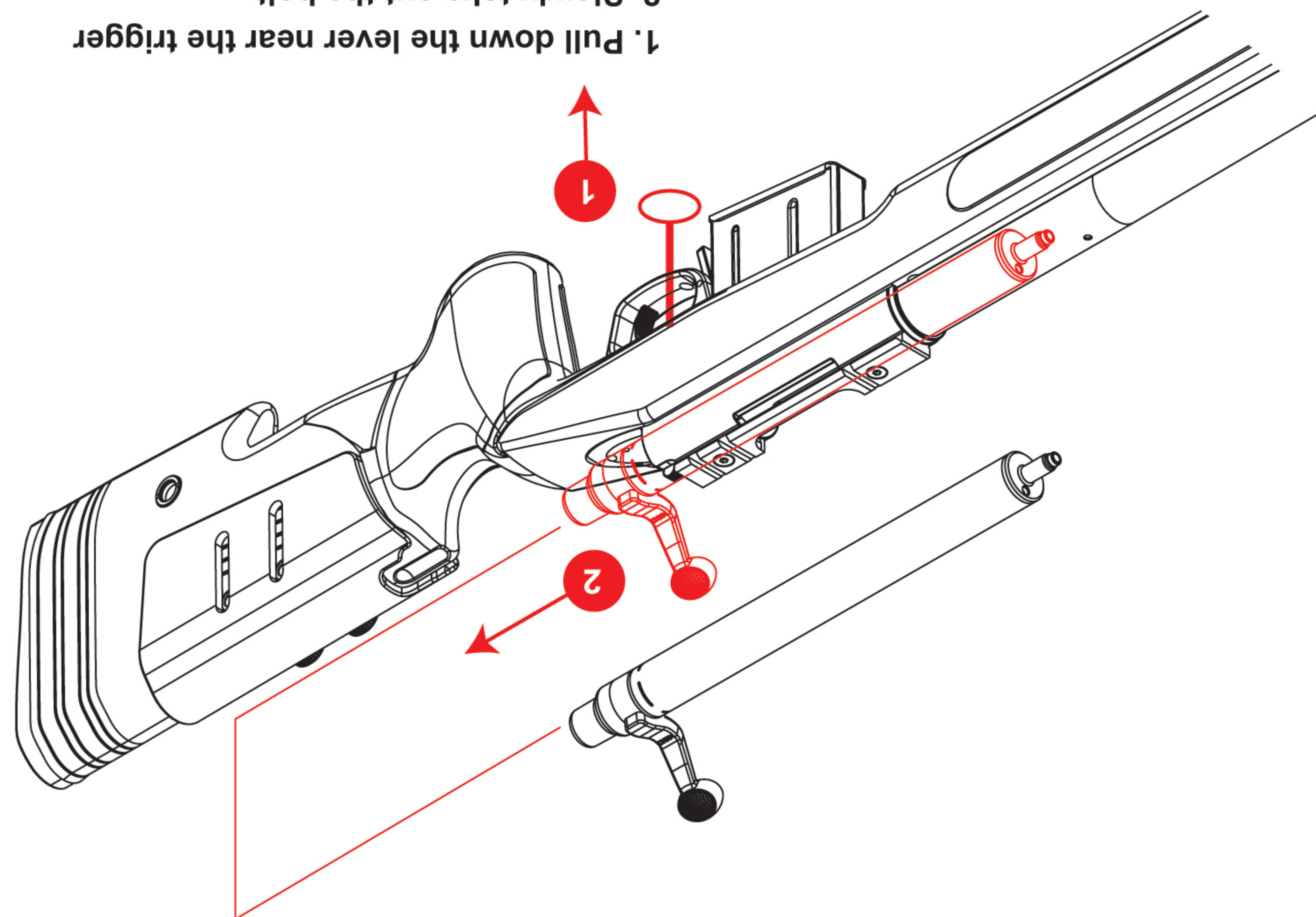


BUTTSTOCK ADJUSTMENT



FIRING MODE

1. Pull down the lever near the trigger
2. Slowly take out the bolt



REMOVE ACTION BOLT

SAFETY

- DO NOT MODIFY OR ALTER YOUR AIRSOFT GUN. Attempts to modify the airsoft gun in way may make your airsoft gun unsafe to use, cause serious injury or death and will void the warranty.
- Always check to see if the airsoft gun is "ON SAFE" and unloaded when getting it from another person or from storage.
- Always keep the airsoft gun "ON SAFE" until you are ready to shoot in a SAFE DIRECTION.
- Misuse or careless use may cause serious injury.
- Do not look into the gun muzzle.
- Do not ever point the airsoft gun at anything you do not intend to shoot.
- You and other with you should always wear shooting glasses to protect your eyes.
- If your reading or prescription glasses are not safety glasses, make sure you wear shooting glasses over your regular glasses.
- Do not put the airsoft gun away loaded. Make sure ALL of the plastic BBs are unloaded from the airsoft gun.
- Do not shoot at hard surfaces or at the surface of water. The plastic BBs may bounce off or ricochet and hit someone or something you had not intended to hit. If the plastic BBs should happen to hit a hard surface, do not reuse those plastic BBs because they could cause possible damage to your airsoft gun.
- Use 6 mm plastic BBs only.
- Always put the airsoft gun in a case or bag when you carrying it.
- Always store this airsoft gun in a secure location and at the places out of reach by children.
- Always treat the airsoft gun as though it is loaded and with the same respect you would a firearm.
- Using unauthorized repair centers or modifying the function of your airsoft gun in any way may be unsafe and will void your warranty.
- We are not responsible for any malfunction, accidents, injuries or repair cost resulting from misuse, or by disassembly and modification of the airsoft gun.



USER RESTRICTED TO 18 YEARS OF AGE OR OLDER

MCM700X-OD (MSR-014)
MCM700X-TAN (MSR-015)
MCM700X-BK (MSR-016)

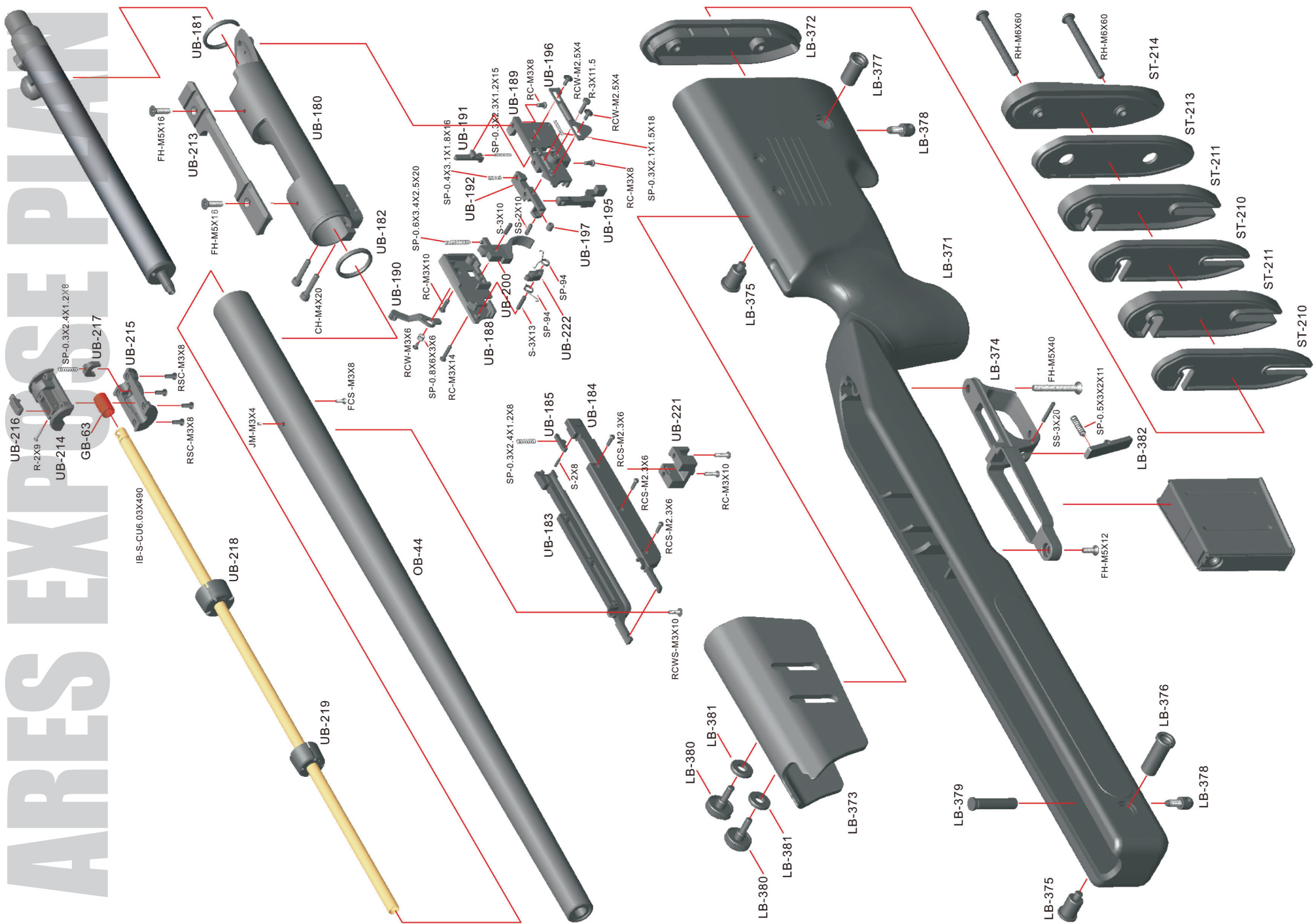


Spring Powered Airsoft Gun Instruction Manual • Always read through this manual before operation

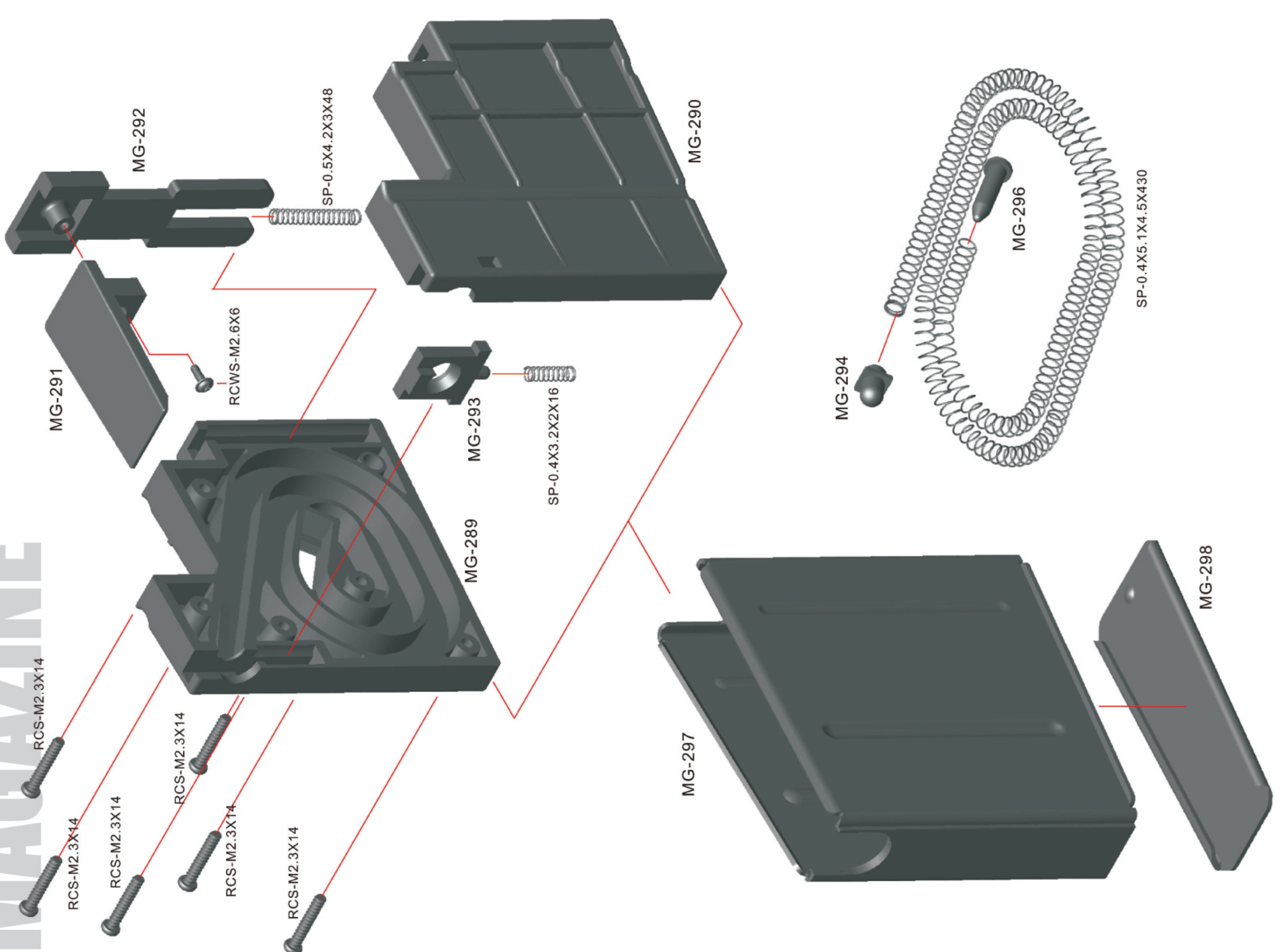
Ares Website: <http://www.aresairsoft.com>
 General Enquiries: ares@aresairsoft.com



ARES EXPLORE PLAN



MAGAZINE



DATA OF MCM 700X SPRING POWERED AIRSOFT GUN

MCM 700X

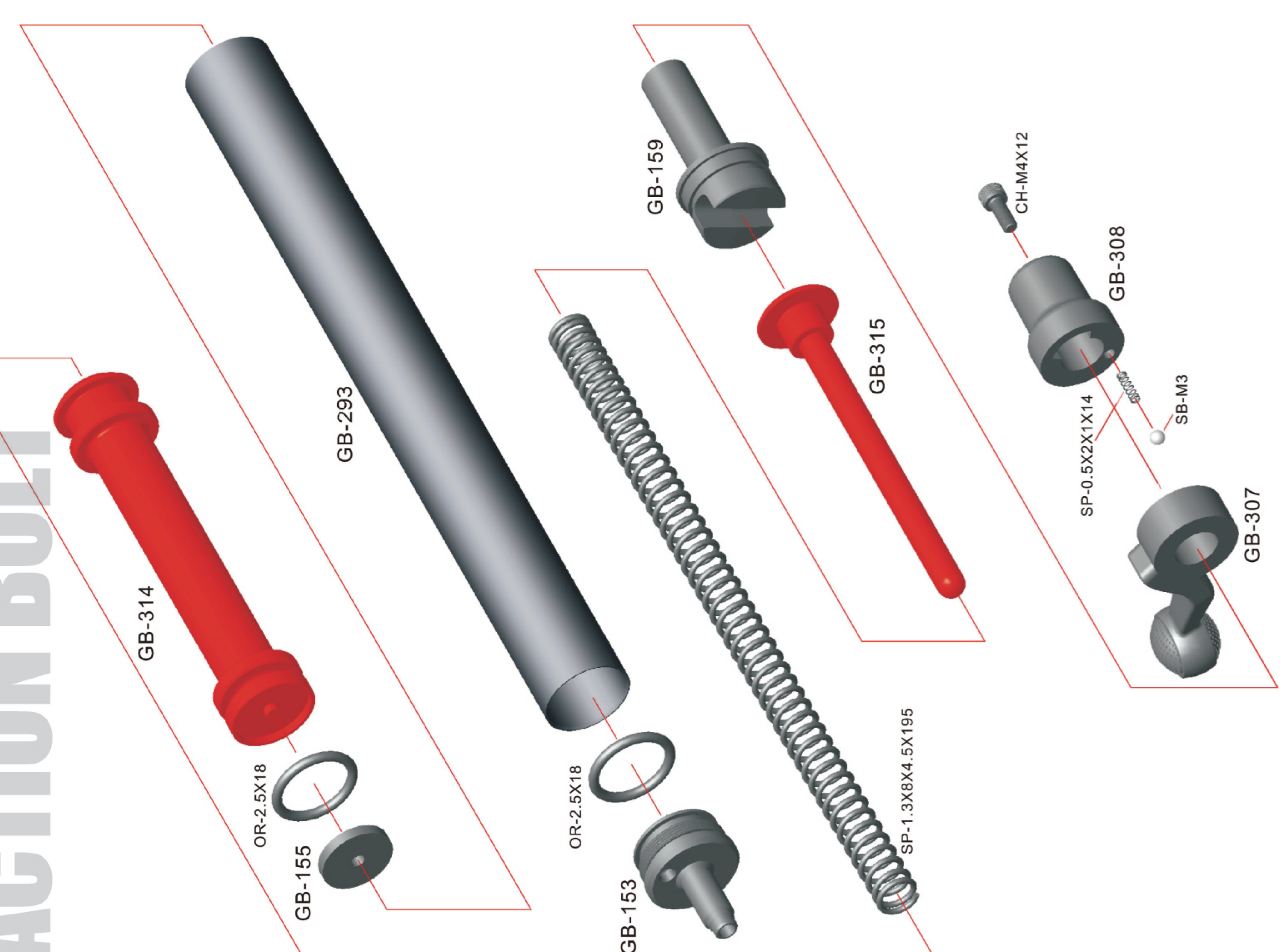
Adjustable Cheek Pad
Fire / Safe
Steel Barrel
Realistic Magazine
Magazine Release
Adjustable Butt Stock
Cocking Lever

POWER:	Spring Power
MAGAZINE CAPACITY:	78rds (6mm BB)
MODE:	Fire / Safe
MATERIAL:	Aluminum Alloy / Nylon Fiber
HOP-UP:	Match Grade Adjustable
LENGTH:	1140mm
WEIGHT:	2810g
VELOCITY:	350-400FPS

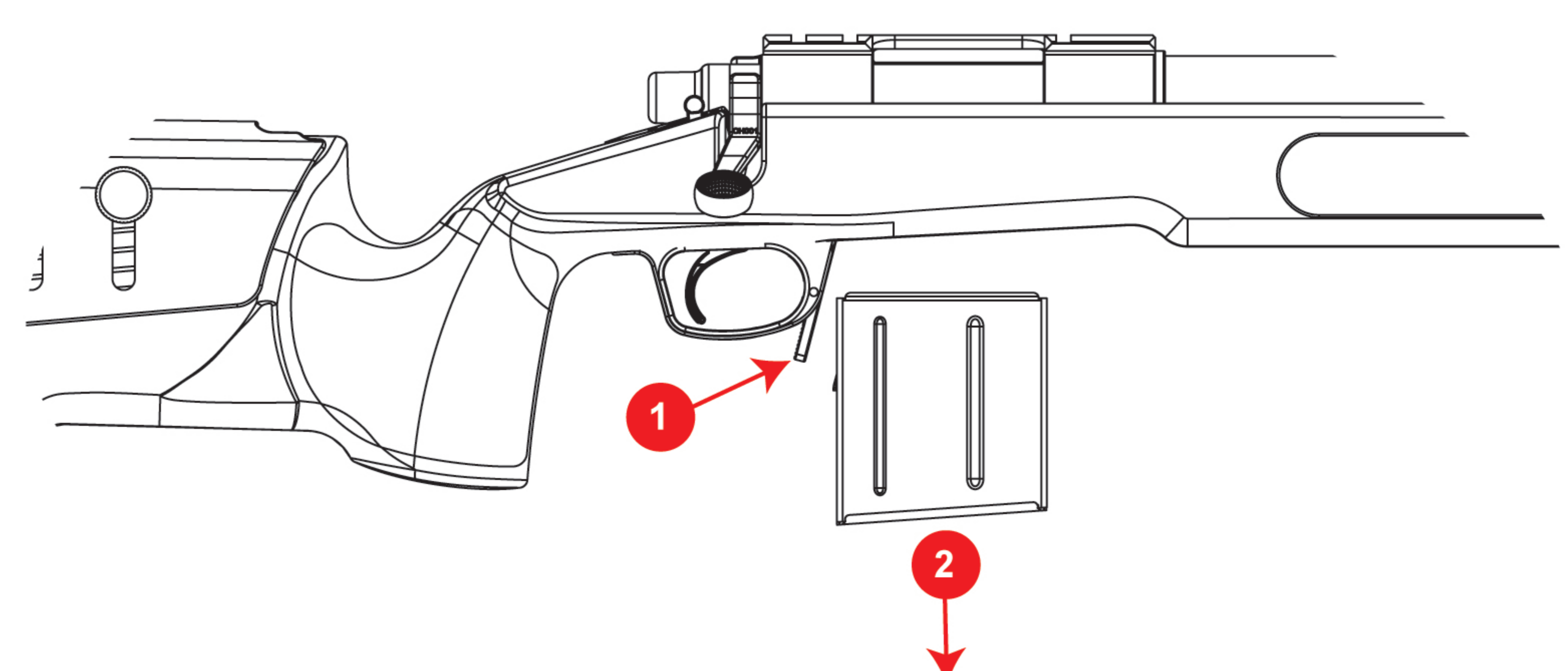
FEATURES

- ARES TX System Compatible
- Steel Outer Barrel
- Nylon Fiber One Piece Body
- Adjustable Buttstock
- Adjustable Cheek Pad
- Metal Scope Rail

ACTION BOLT



RELEASE MAGAZINE



For more detail information please visit www.aresairsoft.com