



**M4 Modular System AEG**

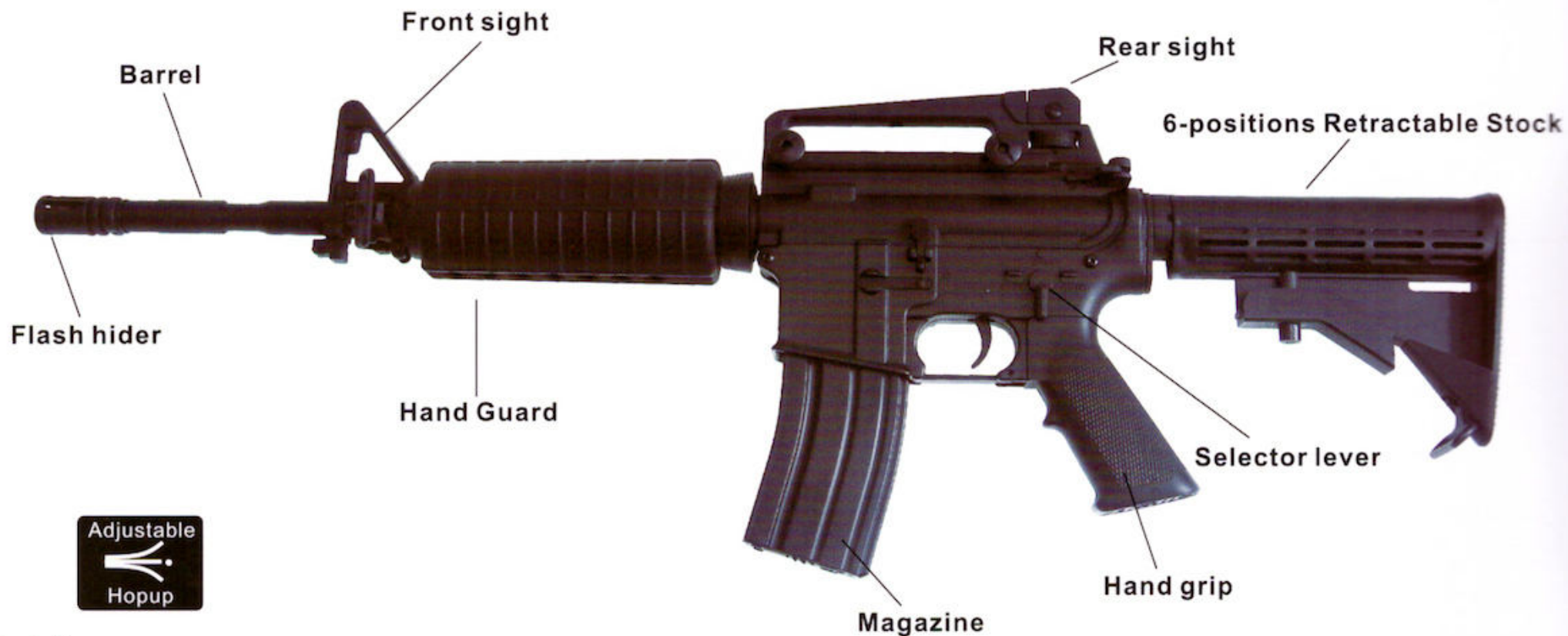
**USER MANUAL**

**For All A&K M4 Series**

**Read through this manual before use**

# AR Series

**! Not a toy.** Adult supervision required.  
 Misuse or careless use may cause serious injury or death.  
 • Always wear eye-protection when using this product.  
 Read and follow instruction carefully before use.  
 This product is a high-powered Airsoft gun, recommended for adult use ( 18 years and up ).



## M4-A1

### Technical information

Ref.	Length	Weight	Caliber	Magazine	Material	Energy	Velocity
M4A1	710/785mm	2950g	6mm	300	Metal	1.1 Joule*	105ms / 345fps*
M4A1-B		2700g**				0.9 Joule**	95ms / 312fps**

\*\*Plastic version \*Based on factory specification



**M4 RIS**  
Ref : M4RIS  
Ref : M4RIS-B  
Ref : M4RIS-TAN  
Ref : M4RIS-B-TAN

Length : 710/785mm  
Caliber : 6mm  
Material : Metal  
Energy : 1.1 Joule\*  
Energy : 0.9 Joule\*\*

Weight : 3000g  
Magazine : 300rds

Velocity : 105ms / 345fps\*  
Velocity : 95ms / 312fps\*\*

**M933**  
Ref : M933  
Ref : M933-B  
Ref : M933-TAN  
Ref : M933-B-TAN

Length : 700/775mm  
Caliber : 6mm  
Material : Metal  
Energy : 1.1 Joule\*  
Energy : 0.9 Joule\*\*

Weight : 2800g  
Magazine : 300rds

Velocity : 105ms / 345fps\*  
Velocity : 95ms / 312fps\*\*



**M4 CQB-R**  
Ref : M4CQBR  
Ref : M4CQBR-B  
Ref : M4CQBR-TAN  
Ref : M4CQBR-B-TAN

Length : 710/785mm  
Caliber : 6mm  
Material : Metal  
Energy : 1.1 Joule\*  
Energy : 0.9 Joule\*\*

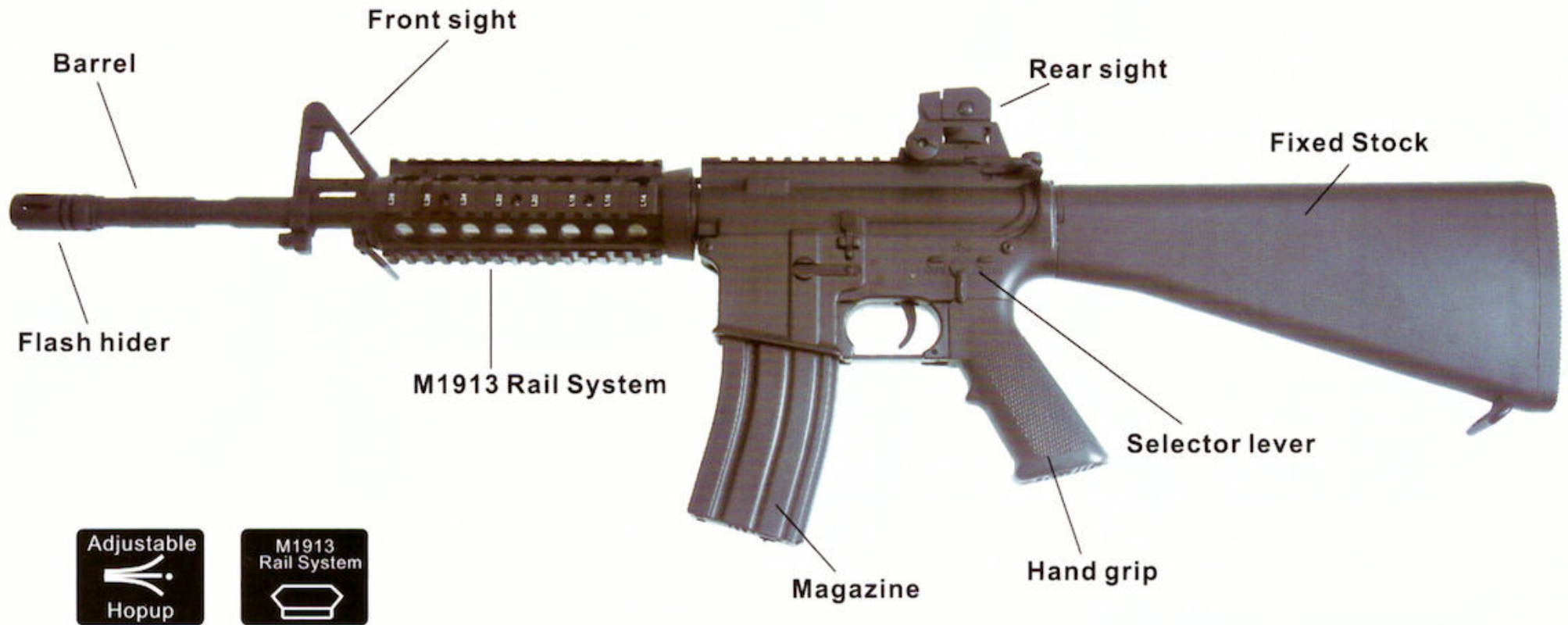
Weight : 3100g  
Magazine : 300rds

Velocity : 105ms / 345fps\*  
Velocity : 95ms / 312fps\*\*

\*\*Plastic version \*Based on factory specification

# AR Series

**! Not a toy.** Adult supervision required.  
 Misuse or careless use may cause serious injury or death.  
 • Always wear eye-protection when using this product.  
 Read and follow instruction carefully before use.  
 This product is a high-powered Airsoft gun, recommended for adult use ( 18 years and up ).



## SR16 Technical information

Ref.	Length	Weight	Caliber	Magazine	Material	Energy	Velocity
SR16	860mm	3000g	6mm	300	Metal	1.1 Joule*	105ms / 345fps*
SR16-B		2800g**				0.9 Joule**	95ms / 312fps**

\*\*Plastic version \*Based on factory specification



**M4 S-System**  
**Ref : M7799**  
**Ref : M7799-TAN**

**Length : 770/845mm**  
**Caliber : 6mm**  
**Material : Plastic**  
**Energy : 0.9 Joule\*\***

**Weight : 3000g**  
**Magazine : 300rds**

**Velocity : 95ms / 312fps\*\***

**LR300 (Short)**  
**Ref : LR300-S**

**Length : 590/810mm**  
**Caliber : 6mm**  
**Material : Metal**  
**Energy : 1.1 Joule\***

**Weight : 2900g**  
**Magazine : 300rds**

**Velocity : 105ms / 345fps\***



**LR300 (Long)**  
**Ref : LR300-L**

**Length : 700/925mm**  
**Caliber : 6mm**  
**Material : Metal**  
**Energy : 1.1 Joule\***

**Weight : 3000g**  
**Magazine : 300rds**

**Velocity : 105ms / 345fps\***



\*\*Plastic version \*Based on factory specification

# AR Series

**! Not a toy.** Adult supervision required.  
 Misuse or careless use may cause serious injury or death.  
 • Always wear eye-protection when using this product.  
 Read and follow instruction carefully before use.  
 This product is a high-powered Airsoft gun, recommended for adult use ( 18 years and up ).



## M16A4

### Technical information

Ref.	Length	Weight	Caliber	Magazine	Material	Energy	Velocity
M16A4	1000mm	3300g	6mm	300	Metal	1.1 Joule*	105ms / 345fps*

\*\*Plastic version \*Based on factory specification



**M16A3**  
Ref : M16A3  
Ref : M16A3-B

Length : 1000mm  
Caliber : 6mm  
Material : Metal  
Energy : 1.1 Joule\*\*

Weight : 3300g  
Magazine : 300rds

Velocity : 105ms / 345fps\*\*

**SPR MOD1**  
Ref : SPR-MOD1

Length : 770/850mm  
Caliber : 6mm  
Material : Metal  
Energy : 1.1 Joule\*

Weight : 3300g  
Magazine : 300rds

Velocity : 105ms / 345fps\*



**SPR MOD2**  
Ref : SPR-MOD2

Length : 970mm  
Caliber : 6mm  
Material : Metal  
Energy : 1.1 Joule\*

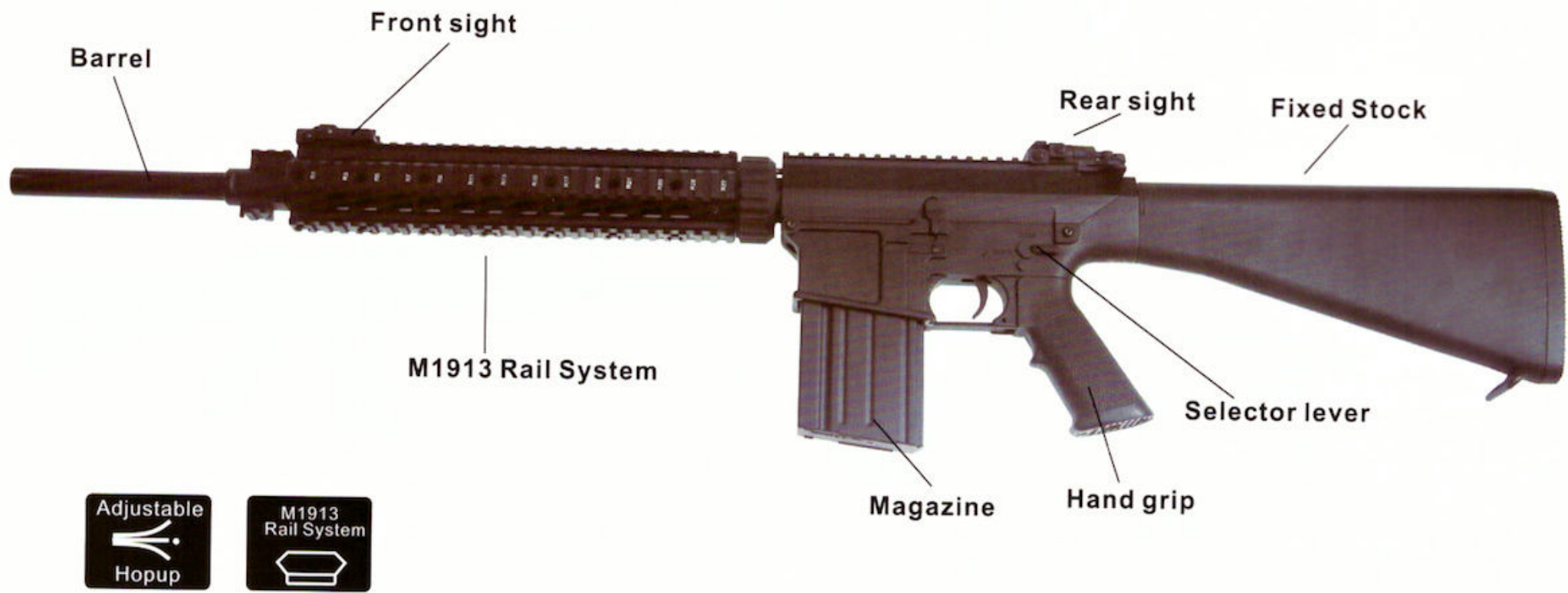
Weight : 3700g  
Magazine : 300rds

Velocity : 105ms / 345fps\*

\*\*Plastic version \*Based on factory specification

# SR25 Series

**! Not a toy.** Adult supervision required.  
 Misuse or careless use may cause serious injury or death.  
 Always wear eye-protection when using this product.  
 Read and follow instruction carefully before use.  
 This product is a high-powered Airsoft gun, recommended for adult use ( 18 years and up ).



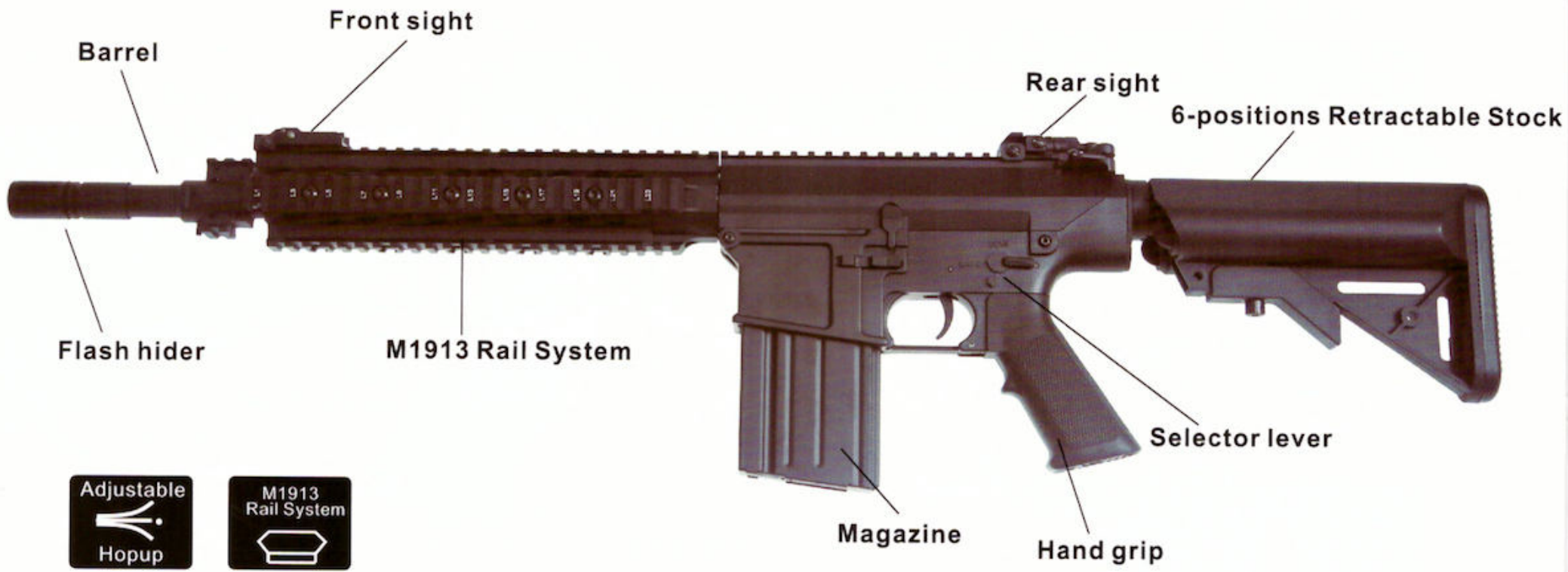
## SR25 Technical information

Ref.	Length	Weight	Caliber	Magazine	Material	Energy	Velocity
SR25	1150mm	3700g	6mm	420	Metal	1.5 Joule*	125ms / 412fps*

\*\*Plastic version \*Based on factory specification



**! Not a toy.** Adult supervision required.  
 Misuse or careless use may cause serious injury or death.  
 • Always wear eye-protection when using this product.  
 Read and follow instruction carefully before use.  
 This product is a high-powered Airsoft gun, recommended for adult use ( 18 years and up ).



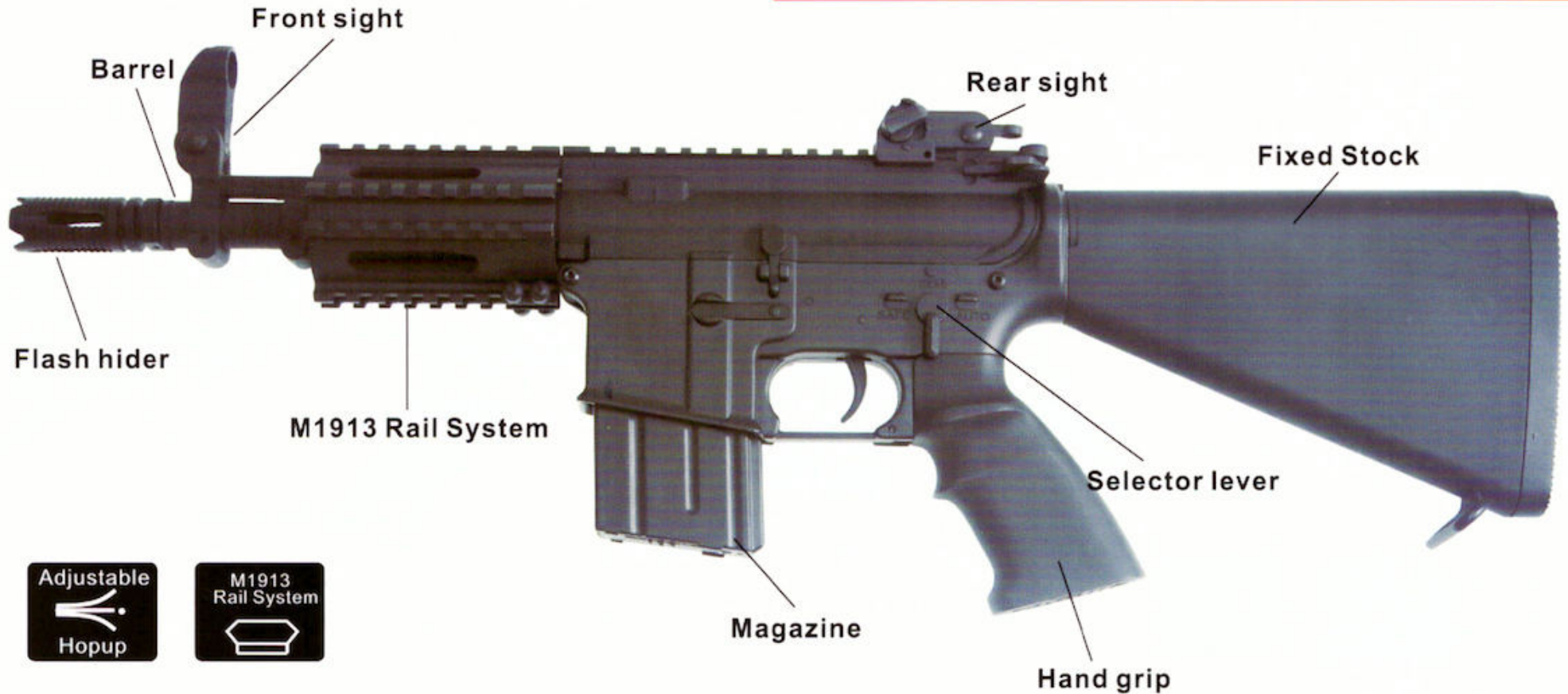
**SR25K**  
**Technical information**

Ref.	Length	Weight	Caliber	Magazine	Material	Energy	Velocity
SR25K	840mm	3400g	6mm	420	Metal	1.5 Joule*	125ms / 412fps*

\*\*Plastic version \*Based on factory specification

# Baby M4 Series

**! Not a toy.** Adult supervision required.  
 Misuse or careless use may cause serious injury or death.  
 Always wear eye-protection when using this product.  
 Read and follow instruction carefully before use.  
 This product is a high-powered Airsoft gun, recommended for adult use ( 18 years and up ).



## CQB-01

### Technical information

Ref.	Length	Weight	Caliber	Magazine	Material	Energy	Velocity
CQB-01	810mm	2500g	6mm	190	Metal	0.9 Joule*	95ms / 312fps*

\*\*Plastic version \*Based on factory specification



**CQB-02**  
Ref : CQB-02

Length : 550mm  
Caliber : 6mm  
Material : Metal  
Energy : 0.9 Joule\*\*

Weight : 2400g  
Magazine : 190rds  
Velocity : 95ms / 312fps\*\*

**CQB-03**  
Ref : CQB-03

Length : 550mm  
Caliber : 6mm  
Material : Metal  
Energy : 0.9 Joule\*

Weight : 2400g  
Magazine : 190rds  
Velocity : 95ms / 312fps\*



**CQB-04**  
Ref : CQB-04

Length : 620mm  
Caliber : 6mm  
Material : Metal  
Energy : 0.9 Joule\*

Weight : 2600g  
Magazine : 190rds  
Velocity : 95ms / 312fps\*

**CQB-05**  
Ref : CQB-05

Length : 630/700mm  
Caliber : 6mm  
Material : Metal  
Energy : 0.9 Joule\*

Weight : 2400g  
Magazine : 190rds  
Velocity : 95ms / 312fps\*



**CQB-06 (Plastic)**  
Ref : CQB-06

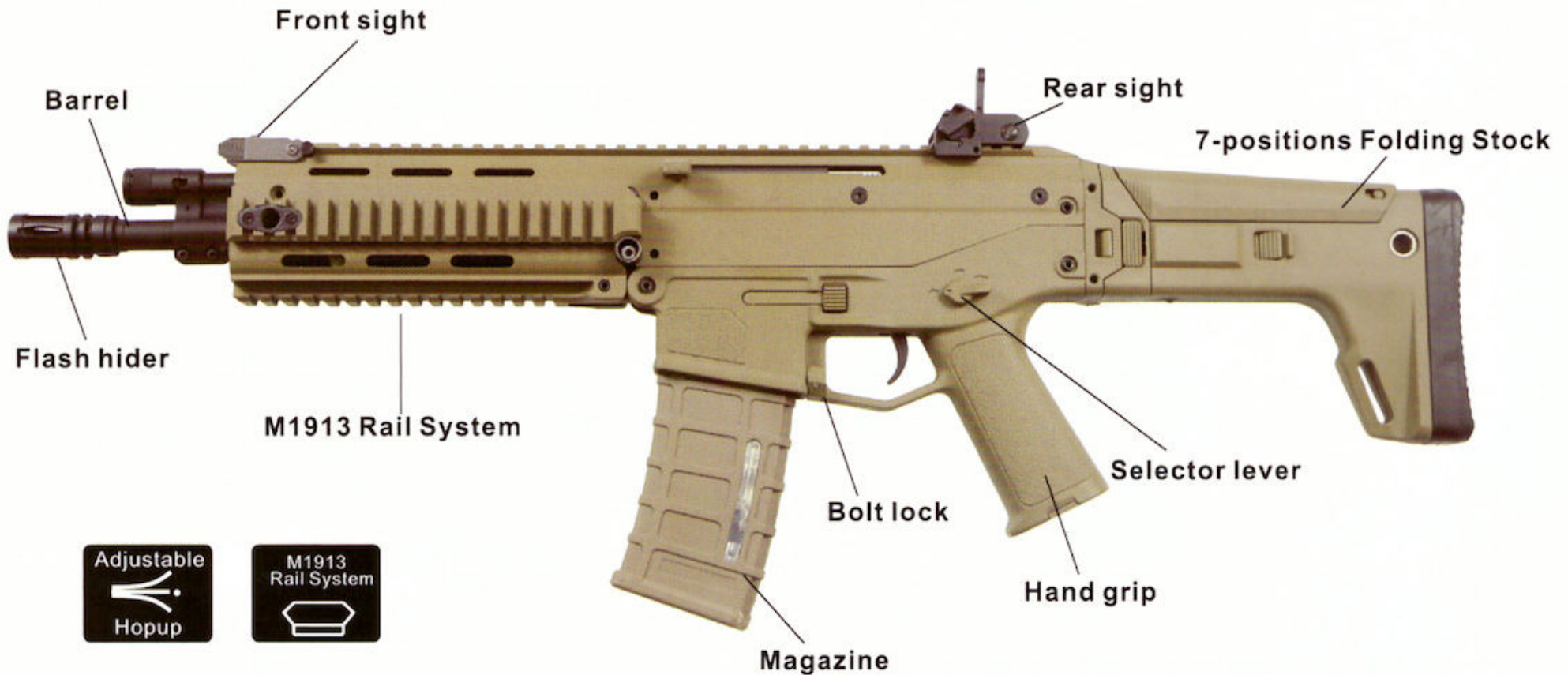
Length : 630mm  
Caliber : 6mm  
Material : Plastic  
Energy : 0.9 Joule\*\*

Weight : 2000g  
Magazine : 190rds  
Velocity : 95ms / 312fps\*\*

\*\*Plastic version \*Based on factory specification

# Masada

**! Not a toy.** Adult supervision required.  
 Misuse or careless use may cause serious injury or death.  
 • Always wear eye-protection when using this product.  
 Read and follow instruction carefully before use.  
 This product is a high-powered Airsoft gun, recommended for adult use ( 18 years and up ).



(Short / TAN)

## Technical information

Ref.	Length	Weight	Caliber	Magazine	Material	Energy	Velocity
MSD-DE-S	710/785mm	2950g	6mm	300	Polymer / Metal	1.1 Joule*	105ms / 345fps*

\*Based on factory specification



**Masada (Short)**  
Ref : MSD-BK-S

**Length : 710/785mm**  
**Caliber : 6mm**  
**Material : Metal**  
**Energy : 1.1 Joule\***

**Weight : 2950g**  
**Magazine : 300rds**  
**Velocity : 105ms / 345fps\***

**Masada**  
Ref : MSD-BK  
MSD-TAN

**Length : 830/910mm**  
**Caliber : 6mm**  
**Material : Metal**  
**Energy : 1.1 Joule\***

**Weight : 2950g**  
**Magazine : 300rds**  
**Velocity : 105ms / 345fps\***



**Masada (Long)**  
Ref : MSD-BK-L  
MSD-TAN-L

**Length : 980/1015mm**  
**Caliber : 6mm**  
**Material : Metal**  
**Energy : 1.1 Joule\***

**Weight : 3250g**  
**Magazine : 300rds**  
**Velocity : 105ms / 345fps\***



\*Based on factory specification

# CASV M4

**! Not a toy.** Adult supervision required.  
 Misuse or careless use may cause serious injury or death.  
 Always wear eye-protection when using this product.  
 Read and follow instruction carefully before use.  
 This product is a high-powered Airsoft gun, recommended for adult use ( 18 years and up ).



**(Short / 2-Tone)**  
**Technical information**

Ref.	Length	Weight	Caliber	Magazine	Material	Energy	Velocity
CASV-DE-S	730/810mm	3100g	6mm	300	Metal	1 Joule*	95ms / 312fps*

\*Based on factory specification



**CASV M4 (2-Tone)**  
Ref : CASV-DE

Length : 815/900mm  
Caliber : 6mm  
Material : Metal  
Energy : 1.3 Joule\*

Weight : 3200g  
Magazine : 300rds

Velocity : 115ms / 378fps\*

**CASV M4 (Short)**  
Ref : CASV-BK-S

Length : 730/810mm  
Caliber : 6mm  
Material : Metal  
Energy : 1 Joule\*

Weight : 3100g  
Magazine : 300rds

Velocity : 95ms / 312fps\*



**CASV M4**  
Ref : CASV-BK

Length : 815/900mm  
Caliber : 6mm  
Material : Metal  
Energy : 1.3 Joule\*

Weight : 3200g  
Magazine : 300rds

Velocity : 115ms / 378fps\*



\*Based on factory specification

# SR15 URX III

**! Not a toy.** Adult supervision required.  
 ! Misuse or careless use may cause serious injury or death.  
 • Always wear eye-protection when using this product.  
 Read and follow instruction carefully before use.  
 This product is a high-powered Airsoft gun, recommended for adult use ( 18 years and up ).



## SR15 URX III

### Technical information

Ref.	Length	Weight	Caliber	Magazine	Material	Energy	Velocity
URX III	810/890mm	2750g	6mm	300	Metal	1.1 Joule*	105ms / 345fps*

\*\*Plastic version \*Based on factory specification



**! Not a toy.** Adult supervision required.  
 Misuse or careless use may cause serious injury or death.  
 • Always wear eye-protection when using this product.  
 Read and follow instruction carefully before use.  
 This product is a high-powered Airsoft gun, recommended for adult use ( 18 years and up ).



**SR15 URX III (Long)**  
**Technical information**

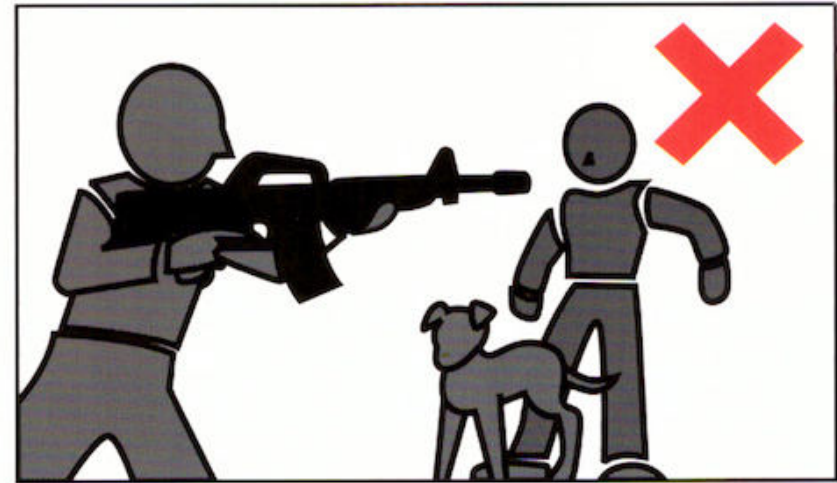
Ref.	Length	Weight	Caliber	Magazine	Material	Energy	Velocity
URX III-L	930/1020mm	3050g	6mm	300	Metal	1.1 Joule*	105ms / 345fps*

\*\*Plastic version \*Based on factory specification

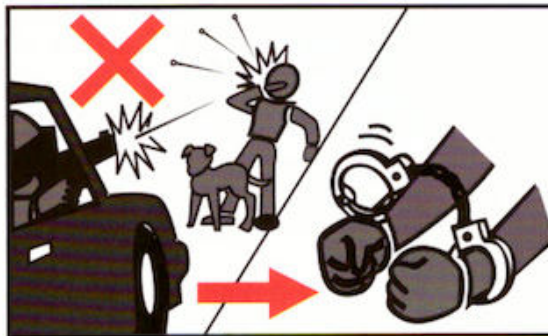
# Warning



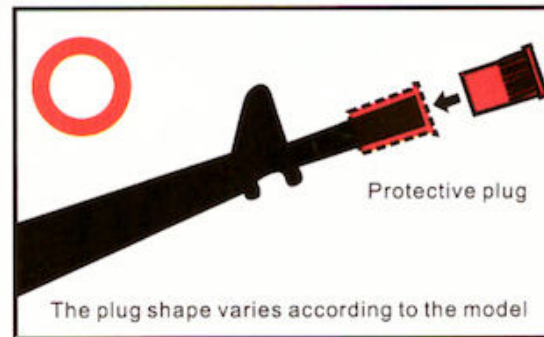
Always wear safety goggles when using your Airsoft gun.



Never aim or shoot at people or animals.  
Always set the selector on "safe" position  
(except when you are ready to shoot a target).



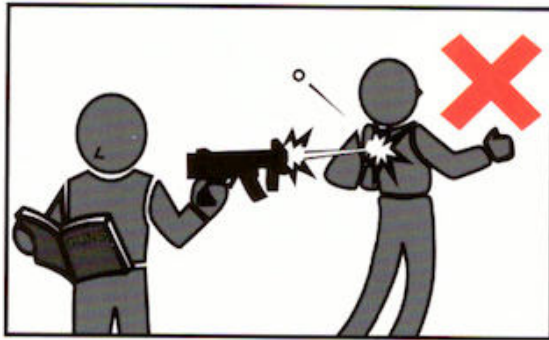
You might be imprisoned if you are shooting  
for a practical joke.



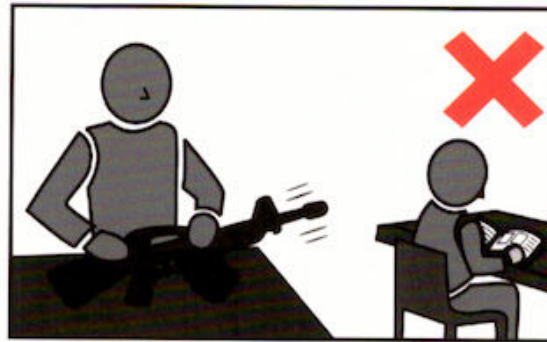
Always attach the protective plug over the  
muzzle when you are not using the  
Airsoft gun.



Do not look directly into the gun barrel.



Avoid pulling the trigger carelessly.



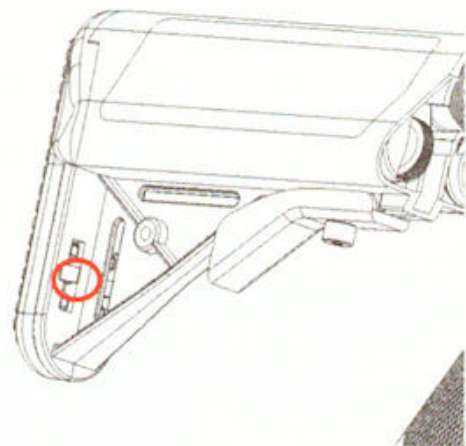
Always direct the muzzle towards a safe direction.



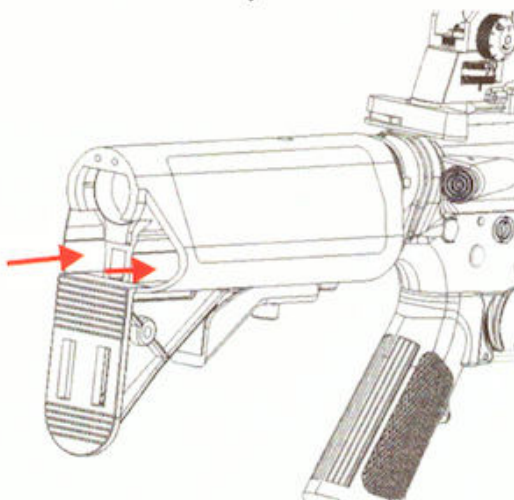
Select a safe place for operating the Airsoft gun. Avoid shooting in public places.

**!** Always treat the Airsoft gun as if it were loaded. Do not carry the Airsoft gun in open view. Always transport the Airsoft gun unloaded in a locked case. Do not openly brandish the Airsoft gun, as this may be perceived by others (including law enforcement units) as a threat, and cause prompt reaction. Always use precision 6mm BBs for this Airsoft gun.  
**!** Never use any used or damaged BBs.

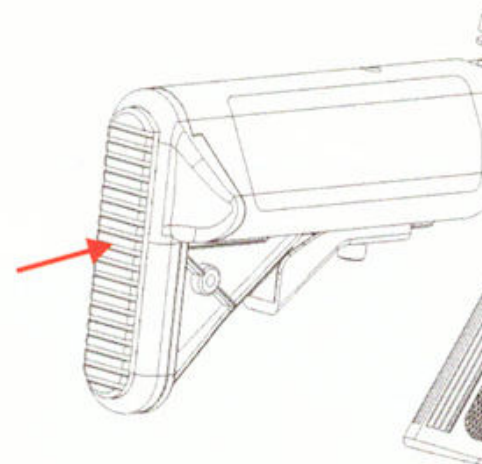
## Installing the battery (Crane stock)



Remove the Stock butt cover.

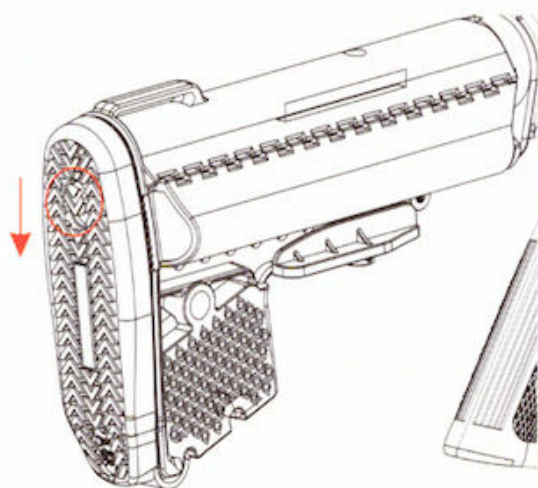


Insert the battery to the stock, and connect the wire plug.

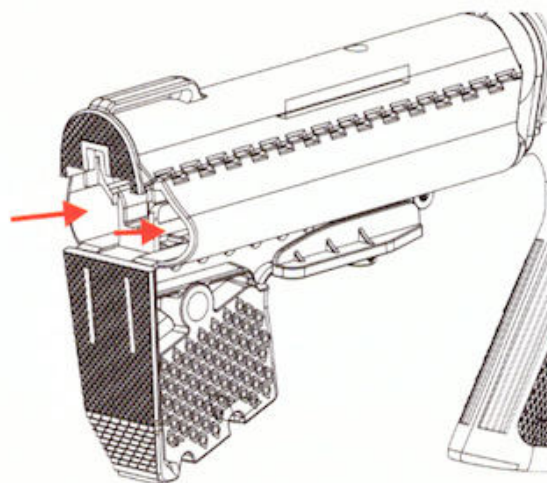


Reinsert the cover and pushing it until a click is heard.

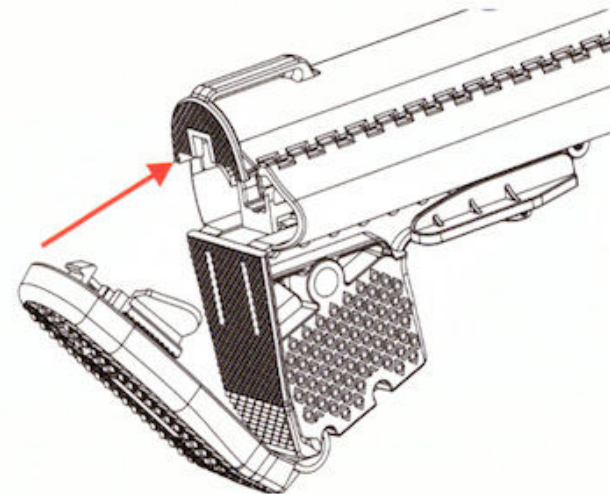
## Installing the battery (Vltor style stock)



Push the button on stock buff, remove the Stock butt cover.

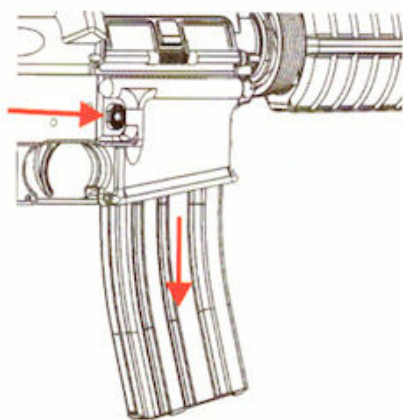


Insert the battery to the stock, and connect the wire plug.

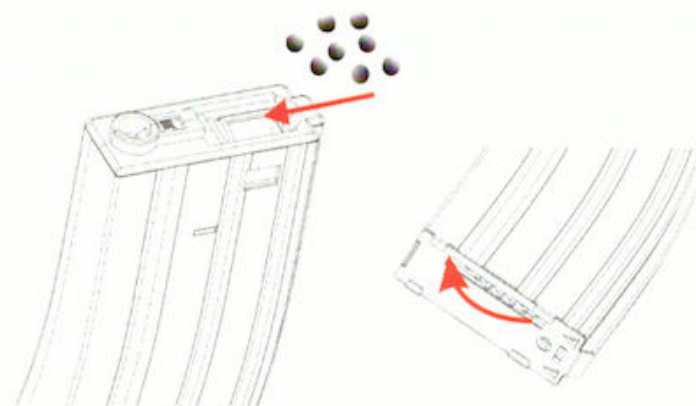


Reinsert the cover and pushing it until a click is heard.

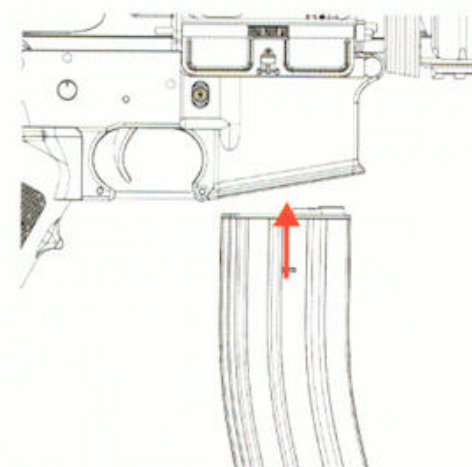
# Loading magazine



Remove the magazine from gun.



Open the cover plate on the magazine. The magazine can now be loaded with 6mm BBs into the magazine. Close the cover plate then turn the gear until the sound change.

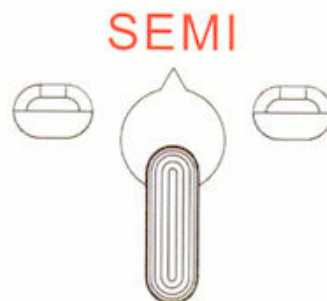


Reinsert the magazine into the Airsoft gun, pushing it into the Airsoft gun until a click is heard.

# Safety



Safety on



Semi automatic (single shot)

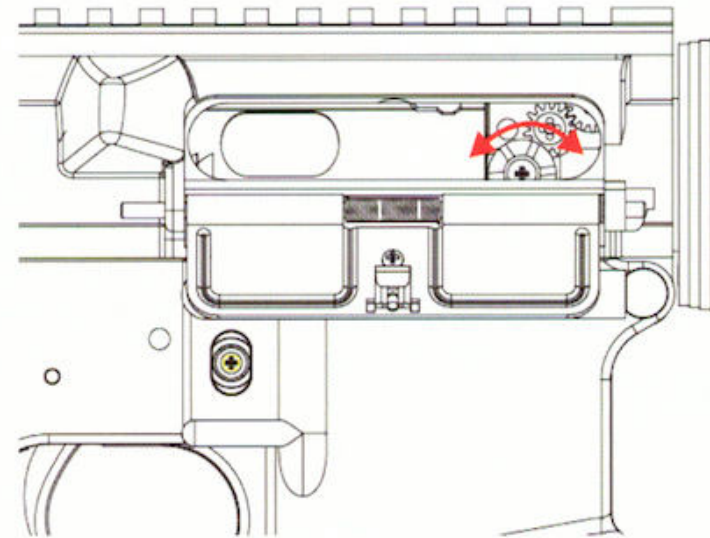
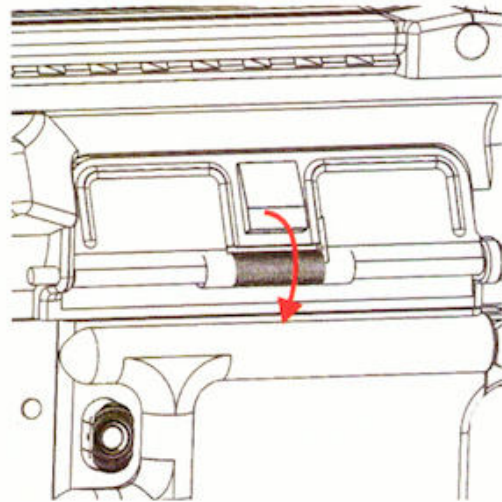


Full automatic

- ~Before using the Airsoft gun, apply a few drops of silicone oil to the first BB in the magazine.
- ~If firing becomes slow, recharge the battery.
- ~After using the Airsoft gun, remove the magazine and “dryfire” a few rounds in a safe direction. This ensure that there are no BB left in the Airsoft gun.

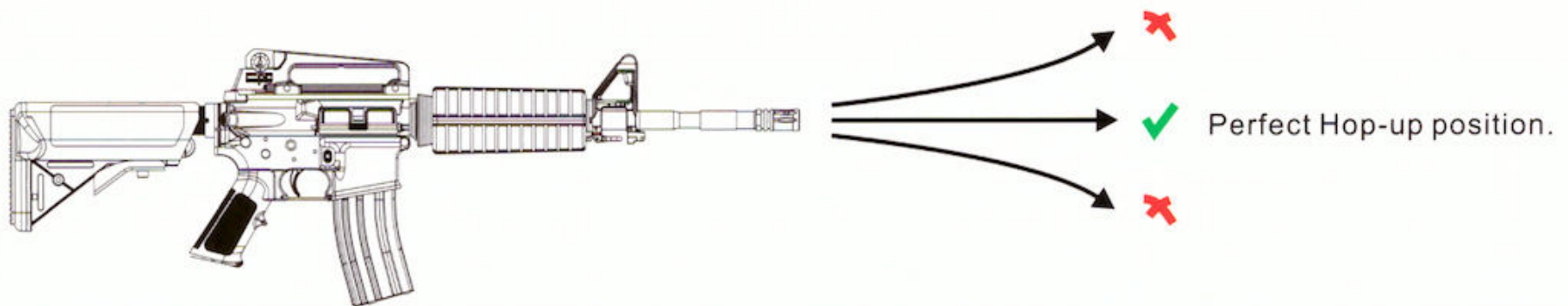
# Hop-up adjustment

By applying a back-spin of the BBs when firing, the trajectory of the BBs can be altered in order to obtain better flight and precision of the BBs - referred to as the Hop-up system. There are two types of Hop-up systems; the fixed and the adjustable. The adjustable Hop-up system allows for fine-tuning the trajectory of the BBs.



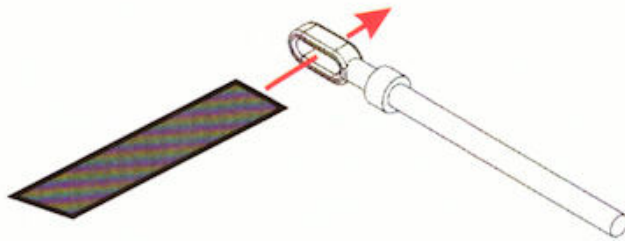
To adjust the Hop-up, open the dust cover to reveal the adjustment lever.

Gradually move the lever up and down and fire a round or two to see the effect. Continue to adjust until the BBs fly straight/horizontally.

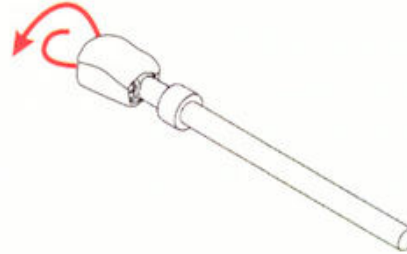


# Cleaning the barrel

Before cleaning the barrel reset the Hop-up to the “normal” position, add a few drops of silicon oil in the chamber of the Airsoft gun (the BB entrance). Insert a fully loading magazine into the Airsoft gun and fire off two to three magazines.



Wind the cotton cloth around the cleaning rod.



Hold at the leading end of rod and insert it into the barrel while turning it.

- ! ~The Hop-up function can be unstable the first 200-300 rounds after applying oil. Oil should be applied for ca. every 10.000rds fired.
- ~Turning the Hop-up dial excessively can cause the BBs to clog the Airsoft gun and damage the piston and gears. Reset the adjustment dial to normal and readjust the Hop-up.
- ~When maintaining the Airsoft gun or cleaning the barrel, always set the selector switch to “safe” or disconnect the battery.
- ~Always return the Hop-up adjustment dial to the “normal” position before cleaning the barrel or removing clogged BBs.
- ~When removing clogged BBs, always return the Hop-up dial to the “normal” position, to avoid damaging the chamber packing.

# Troubleshooting

## Symptom

The Airsoft gun will not fire

## Cause

## Action

The Selector is set to 'safe'.	Switch the safety selector to 'fire'.	
The battery is not charged.	Charge the battery.	
Battery connector is disconnected.	Connect the battery connector.	
The '+' and '-' of the battery connector is reversed.	Connect the poles correctly.	
The fuse is blown out.	Replace the fuse.	
Poor electrical connection.	Check contacts (contact your local dealer).	
Magazine empty.	Refill the BBs and push the bolt stop.	
The motor is turning but the Airsoft gun won't fire	BBs are clogging the magazine or barrel.	Remove clogged BBs from magazine or barrel.
	Faulty gearbox.	Contact your local dealer for repairs.

**! ~If the Airsoft gun gets wet, stop operation immediately and disconnect the battery. Dry the main body of the Airsoft gun with a cloth or towel. Dry the battery and connector wire. Reconnect the battery and fire a few test shots. If the Airsoft gun fails to operate, contact your local dealer for repairs.**



## Safety rules

---

- ~Always aim in a SAFE DIRECTION. Always Keep the Airsoft gun pointed in a SAFE DIRECTION.
  - ~Always keep your fingers off the trigger and out of the trigger guard until ready to shoot.
  - ~Never point the Airsoft gun at anything you do not intend to shoot.
  - ~Always treat the Airsoft gun as though it is loaded and with the same respect you would a firearm.
  - ~Never look down the barrel of an airsoft gun.
  - ~Always Keep the Airsoft gun "ON SAFE" until you are ready to shoot.
  - ~Always check to see if the Airsoft gun is "ON SAFE" and unloaded when getting it from another person or from storage.
  - ~Use only the proper size and type of projectile as it is marked on the Airsoft gun.
  - ~Never use any used ammunition.
  - ~Do not shoot at hard surfaces or at the water. The BB may bounce off or ricochet and hit someone or something you had no intend to hit.
  - ~Do not shoot at fragile objects such as windows.
  - ~Do not attempt to disassemble or tamper with your Airsoft gun. Unauthorized repairs or modifying the function of your Airsoft gun in any way may be unsafe and will void your warranty.
  - ~Before you store your Airsoft gun, make sure it is unloaded, the magazine is removed, and is "ON SAFE".
  - ~Always store your Airsoft gun in a secure location away from unauthorized users.
-

# Accessories

## Magazine

---

Masada type Hi-cap magazine, 300rd	Ref. A001
M4 Hi-cap magazine, 350rd	Ref. A002
M4 Hi-cap Battle magazine, 300rd	Ref. A003
M4 Mid-cap magazine, 80rd	Ref. A004
M16VN Mid-cap magazine, 190rd	Ref. A006



## Dump Box

---

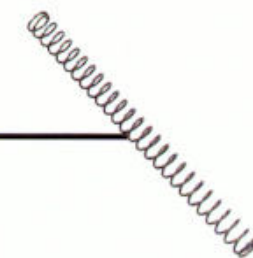
AK5000A square ammo box, sound control	Ref. D009
AK 5000 square ammo box, manual control	Ref. D010
M4 Dual ammo box, sound control	Ref. D016
M4 ammo box, sound control	Ref. D020



## Spring

---

M90 spring, 90~99m/s	Ref. B033
M100 spring, 100~109m/s	Ref. B034
M120 spring, 120~129m/s	Ref. B035
M130 spring, 130~139m/s	Ref. B036



# Accessories

## **Hand Grip** (For AEG only)

---

SPR style hand grip	Ref. P002
Battle hand grip	Ref. P003
Pistol style hand grip	Ref. P004
LR300 style hand grip	Ref. P005
Advanced battle hand grip	Ref. P011



## **Foregrip**

---

Knight's style Foregrip	Ref. Q001
QD type Foregrip	Ref. Q002
Battle Foregrip	Ref. Q003



## **Motor** (For AEG only)

---

Normal torque motor, Short type	Ref. C001
High torque motor, Short type	Ref. C002
Normal torque motor, Long type	Ref. C003
High torque motor, Long type	Ref. C004





M4 Modular System AEG produced by A&K Airsoft  
Made In China